

# SPECIFICATIONS

## 3528 White LED

Model : OWP-SM3528-09T



Tel : 042-931-9311    Fax : 042-931-0980  
1683-2 Sinil-dong, Daeduck-gu, Daejeon 306-230, Korea

# 1. General Description

## (1) Features

Grouping Parameter : Luminous Intensity

Feature of the device : Extremely wide viewing angle.

Ideal for backlighting and coupling in light guides.

Lead free product : RoHS Compliant

## (2) Applications

Backlighting : LCDs, Key pads, Advertising.

Displays : Indoor and Outdoor Signboard and Message board.

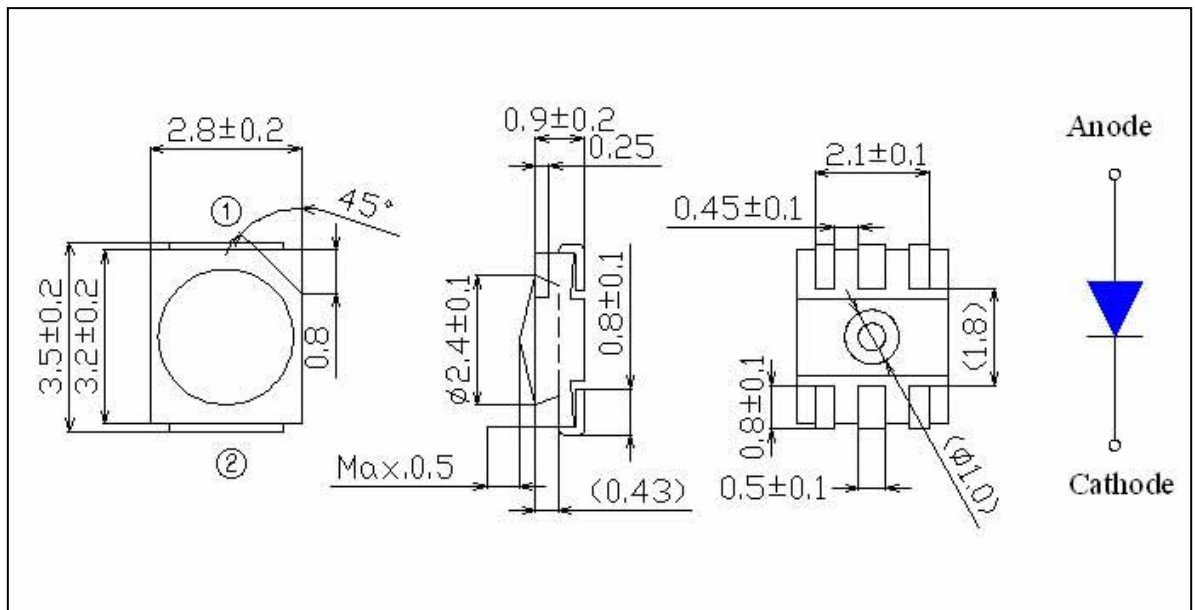
Automotive : Dashboards.

Status indicators : Industrial electronics.

Lighting : Signal, Symbol and Marker lights.

## (3) Outline Dimensions

Unit : [mm]



## 2. Specifications

### (1) Absolute Maximum Ratings

( Ta=25 )

Item	Symbol	Absolute Maximum Rating	Unit
Forward Current	$I_F$	100	mA
Peak Forward Current	$I_{FP}$	300	mA
Power Dissipation	$P_D$	350	mW
Reverse Voltage	$V_R$	5	V
Operation Temperature	$T_{opr}$	-30 ~ +85	
Storage Temperature	$T_{stg}$	-40 ~ +100	
Soldering Temperature	$T_{sld}$	Reflow Soldering (Lead Free) : 260 for 5sec. Reflow Soldering (Lead) : 240 for 5sec.	

\*  $I_{FP}$  Conditions : Duty Ratio 1/10, Pulse Width 0.1ms

\* Mounted on PC board FR4

### (2) Initial Electro-Optical Characteristics

( Ta=25 )

Item	Symbol	Condition	Min	Typ	Max	Unit
Forward Voltage	$V_F$	$I_F=70mA$	3.1	-	3.5	V
Reverse Current	$I_R$	$V_R=5V$			10	$\mu A$
Luminous Intensity	$I_V$	$I_F=70mA$		3500		mcd
Chromaticity Coordinate	X	$I_F=70mA$	0.250	-	0.320	-
	Y	$I_F=70mA$	0.250	-	0.320	-
Viewing Angle	X	$I_F=70mA$		120		Deg.
	Y	$I_F=70mA$		120		Deg.

\* Luminous Intensity & Dominant Wavelength are measured in a current pulse duration of 10ms.