

## FEATURES

- \* Distance up to 15 km at signal rates of 1 to 155 MBd
- \* 1310 nm wavelength emission
- \* Single-mode fiber operation
- \* Wave solder and aqueous wash process compatible
- \* Panel mount ST connectors (FL-3640 / PT-3600)
- \* Panel mount FC connectors (FL-3640F / PT-3600F)
- \* Industrial standard 8-pin configuration
- \* RoHS Compliant



## APPLICATION

- \* Single-mode extensions to Ethernet (10-Base-F) links
- \* Single-mode connection

## DESCRIPTION

FL-3615 / PT-3600 series is specified designed for the Ethernet single-mode transmitter / receiver application.

FL-3640 / FL-3640F ELECTRICAL AND OPTICAL CHARACTERISTICS (T <sub>C</sub> =25°C)						
Symbol	Parameter	Test Conditions	Min.	Typ.	Max.	Unit
I <sub>th</sub>	Threshold Current	CW	---	12	20	mA
V <sub>OP</sub>	Operating Voltage	I <sub>op</sub> =40mA, SM fiber	---	1.2	1.5	V
P <sub>f</sub>	Fiber Coupled Power		-10	---	0	dBm
λ	Peak Wavelength		1280	1310	1340	nm
Δλ	Spectrum Width		---	---	5	nm

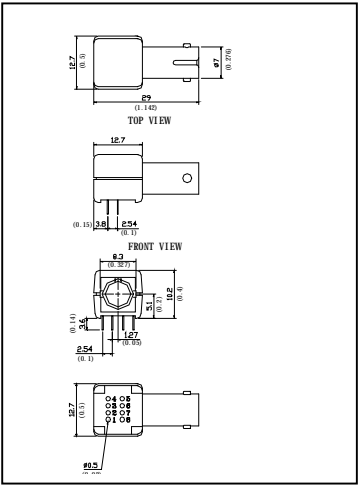
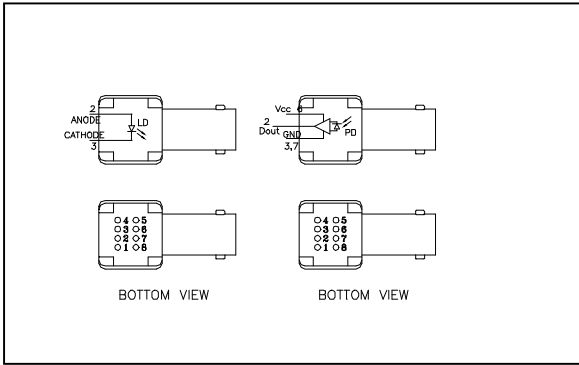
PT-3600 ELECTRICAL AND OPTICAL CHARACTERISTICS (T <sub>C</sub> =25 °C)						
Symbol	Parameter	Test Conditions	Min.	Typ.	Max.	Unit
Sen	Sensitivity	1 to 155 MBd, SM fiber			-34	dBm
P <sub>in, sat</sub>	Saturation		-3	0	---	dBm
V <sub>CC</sub>	Supply Voltage		4.75	5	5.25	V
I <sub>CC</sub>	Supply Current		20	25	35	mA

Recommended Operating Conditions						
Symbol	Parameter	Test Conditions	Min.	Typ.	Max.	Unit
T <sub>opr</sub>	Operating Temperature		0		70	°C
T <sub>stg</sub>	Storage Temperature		-40		85	°C

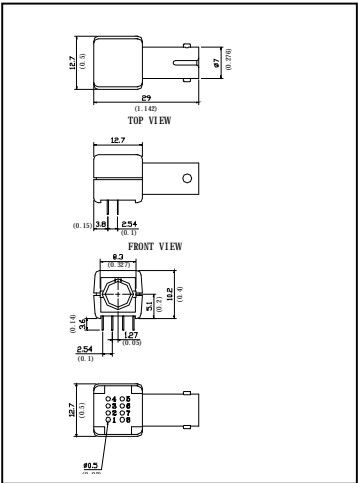
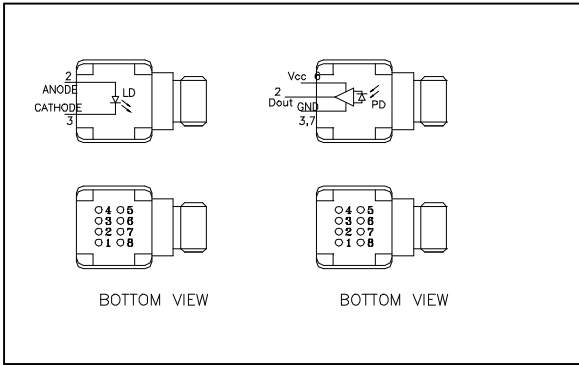
PINOUT DESCRIPTION

MECHANICAL DIMENSION (mm)

1) FL-3640 / PT-3600 (Panel mount ST connectors)



2) FL-3640F / PT-3600F (Panel mount FC connectors)



PIN ASSIGNMENT

FL-3640 / FL-3640F

PT-3600 / PT-3600F

PIN	Function
2	LD Anode
3	LD Cathode
1, 4, 5, 6, 7, 8	No Connect

PIN	Function
2	Dout
3	GND
6	Vcc
7	GND
1, 4, 5, 8	No Connect

Note: Specifications subject to change without notice.

ORDER INFORMATION

Transmitter	Receiver	Distance (km)	Fiber	Data Rate (MBd)	Connector
FL-3615	PT-3600	15	SM	1 to 155	ST
FL-3640	PT-3600	40	SM	1 to 155	ST
FL-3615F	PT-3600F	15	SM	1 to 155	FC
FL-3640F	PT-3600F	40	SM	1 to 155	FC

\*\*\*\*\*  
Revision History

Version	Subject	Release Date
1.0	Initial datasheet	2002/6/1
2.0	Combine FL-3640/PT-3600 & FL-3640G/PT-3600G in one data sheet	2007/12/1