

**SPS-83120G**

**(RoHS Compliant)**

**3.3V / 1550 nm / 4.25 Gbps LC SFP SINGLE-MODE TRANSCEIVER**

**FEATURES**

- Up to 4.25 Gbps Bi-directional Data Links
- Hot-Pluggable SFP Footprint LC Optical Transceiver
- Small Form-Factor Pluggable (SFP) MSA compatible
- Compliance with Fibre Channel FC-PI 400/200/100-SM-LC-L
- 1550 nm DFB LD Transmitter
- High Sensitivity APD Receiver
- 28 dB Power Budget at Least
- AC/AC Coupling according to MSA
- **Up to 120 km Transmission**
- Single +3.3 V Power Supply
- RoHS Compliant
- 0 to 70°C Operating
- Class 1 Laser International Safety Standard IEC-60825 Compliant

**APPLICATIONS**

- Tri-rate 1.063/2.125/4.25 Gb/s Fibre Channel
- 1.25 Gb/s 1000 BASE Ethernet

**DESCRIPTION**

The SPS-83120G series single mode transceiver is small form factor pluggable module for bi-directional serial optical data communications such as 4x/2x/1x Fibre Channel and 1000BASE Ethernet. It is with the SFP 20-pin connector to allow hot plug capability. This module is designed for single mode fiber and operates at a nominal wavelength of 1550 nm. The transmitter section uses a 1550 nm multiple quantum well DFB laser and is a class 1 laser compliant according to International Safety Standard IEC-60825. The receiver section uses an integrated InGaAs detector preamplifier (IDP) mounted in an optical header and a limiting post-amplifier IC.

**LASER SAFETY**

This single mode transceiver is a Class 1 laser product. It complies with IEC-60825 and FDA 21 CFR 1040.10 and 1040.11. The transceiver must be operated within the specified temperature and voltage limits. The optical ports of the module shall be terminated with an optical connector or with a dust plug.

**ORDER INFORMATION**

| P/No.             | Bit Rate (Gb/s) | FC-PI       | Distance (km) | Wavelength (nm) | Package | Temp. (°C) | TX Power (dBm) | RX Sens. (dBm) | RoHS Compliant |
|-------------------|-----------------|-------------|---------------|-----------------|---------|------------|----------------|----------------|----------------|
| <b>SPS-83120G</b> | 4 / 2 / 1       | 400/200/100 | <b>120</b>    | 1550 DFB        | LC SFP  | 0 to 70    | 6 to 3         | -27            | Yes            |

**Absolute Maximum Ratings**

| Parameter                  | Symbol | Min  | Max | Units | Notes |
|----------------------------|--------|------|-----|-------|-------|
| Storage Temperature        | Tstg   | -40  | 85  | °C    |       |
| Operating Case Temperature | Topr   | 0    | 70  | °C    |       |
| Power Supply Voltage       | Vcc    | -0.5 | 3.6 | V     |       |

**Recommended Operating Conditions**

| Parameter                  | Symbol                 | Min    | Typ | Max  | Units / Notes |
|----------------------------|------------------------|--------|-----|------|---------------|
| Power Supply Voltage       | Vcc                    | 3.13   | 3.3 | 3.47 | V             |
| Operating Case Temperature | Topr                   | 0      |     | 70   | °C            |
| Power Supply Current       | I <sub>CC(TX+RX)</sub> |        | 200 | 300  | mA            |
| Data Rate                  |                        | 1.0625 |     | 4.25 | Gb/s          |

\*\*\*\*\*

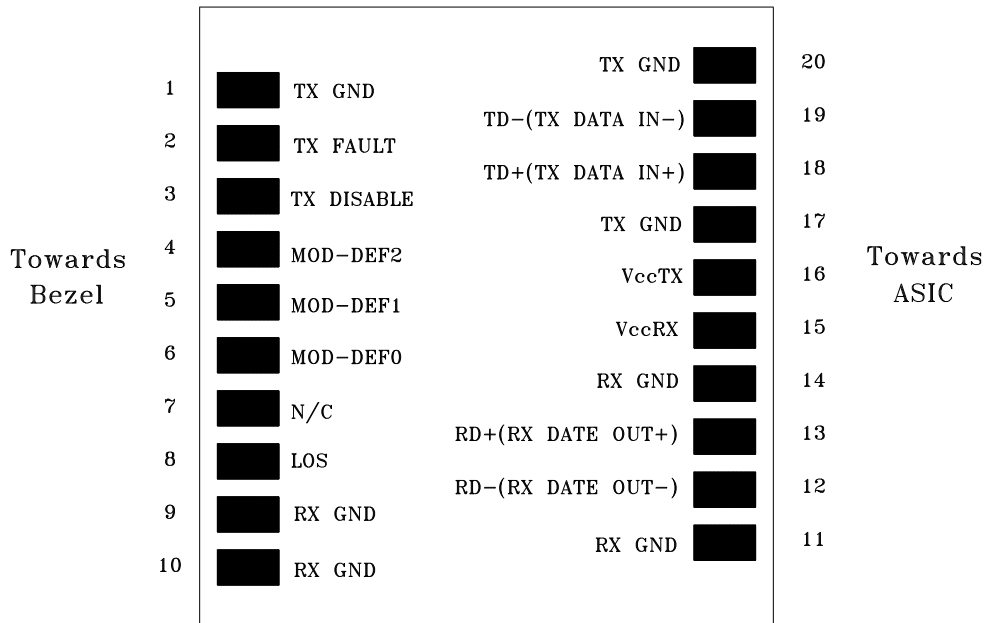
| Transmitter Specifications (0°C < Topr < 70°C, 3.13V < Vcc < 3.47V) |                                   |      |     |         |       |                        |
|---|-----------------------------------|------|-----|---------|-------|------------------------|
| Parameter   | Symbol                            | Min  | Typ | Max     | Units | Notes                  |
| <b>Optical</b>  |                                   |      |     |         |       |                        |
| Optical Transmit Power  | Po                                | 3    | --- | 6       | dBm   | 1                      |
| Optical Modulation Amplitude@4.25Gb/s                               | OMA                               | 1600 | --- |         | μW    |                        |
| Output Center Wavelength  | λ                                 | 1530 |     | 1570    | nm    |                        |
| Output Spectrum Width   | Δλ                                | ---  |     | 1       | nm    | -20 dB Width           |
| Side Mode Suppression Ratio   | SMSR                              | 30   |     |         | dB    |                        |
| Optical Rise / Fall Time  | t <sub>r</sub> / t <sub>f</sub>   |      |     | 90      | ps    | 20 % to 80%,unfiltered |
| Relative Intensity Noise  | RIN                               |      |     | -120    | dB/Hz |                        |
| <b>Electrical</b>   |                                   |      |     |         |       |                        |
| Data Input Current – Low  | I <sub>IL</sub>                   | -350 |     |         | μA    |                        |
| Data Input Current – High   | I <sub>IH</sub>                   |      |     | 350     | μA    |                        |
| Differential Input Voltage  | V <sub>IH</sub> - V <sub>IL</sub> | 0.5  |     | 2.4     | V     | Peak-to-Peak           |
| TX Disable Input Voltage – Low                                      | T <sub>DIS,L</sub>                | 0    |     | 0.5     | V     | 2                      |
| TX Disable Input Voltage – High                                     | T <sub>DIS,H</sub>                | 2.0  |     | Vcc     | V     | 2                      |
| TX Disable Assert Time  | T <sub>ASSERT</sub>               |      |     | 10      | μs    |                        |
| TX Disable Deassert Time  | T <sub>DEASSERT</sub>             |      |     | 1       | ms    |                        |
| TX Fault Output Voltage -- Low                                      | T <sub>FAULTL</sub>               | 0    |     | 0.5     | V     | 3                      |
| TX Fault Output Voltage -- High                                     | T <sub>FAULTH</sub>               | 2.0  |     | Vcc+0.3 | V     | 3                      |

1. Output power is power coupled into a 9/125 μm single mode fiber.
2. There is an internal 4.7K to 10K ohm pull-up resistor to VccTX.
3. Open collector compatible, 4.7K to 10K ohm pull-up to Vcc (Host Supply Voltage).

| Receiver Specifications (0°C < Topr < 70°C, 3.13V < Vcc < 3.47V) |                                   |      |     |         |       |                         |
|--|-----------------------------------|------|-----|---------|-------|-------------------------|
| Parameter  | Symbol                            | Min  | Typ | Max     | Units | Notes                   |
| <b>Optical</b>   |                                   |      |     |         |       |                         |
| Sensitivity @4.25Gb/s  | Sens1                             |      |     | 2.6     | μW    | 4                       |
|  |                                   |      |     | -27     | dBm   | 5                       |
| Sensitivity @2.125 / 1.063Gb/s                                   | Sens2                             |      |     | 2.6     | μW    | 4                       |
|  |                                   |      |     | -27     | dBm   | 5                       |
| Maximum Input Power  | Pin                               | -9   |     |         | dBm   |                         |
| Signal Detect -- Asserted  | Pa                                | ---  |     | -27     | dBm   | Transition: low to high |
| Signal Detect -- Deasserted                                      | Pd                                | -40  | --- | ---     | dBm   | Transition: high to low |
| Signal detect -- Hysteresis                                      |                                   | 1.0  | --- |         | dB    |                         |
| Wavelength of Operation  |                                   | 1260 | --- | 1600    | nm    |                         |
| <b>Electrical</b>  |                                   |      |     |         |       |                         |
| Differential Output Voltage                                      | V <sub>OH</sub> - V <sub>OL</sub> | 0.6  |     | 2.0     | V     |                         |
| Output LOS Voltage -- Low  | V <sub>OL</sub>                   | 0    |     | 0.5     | V     | 6                       |
| Output LOS Voltage -- High                                       | V <sub>OH</sub>                   | 2.0  |     | Vcc+0.3 | V     | 6                       |

4. Measured at PRBS 2<sup>7</sup>-1 at BER 1E-12.
5. Represents sensitivity based on OMA spec, as corrected to incoming Extinction Ratio of 9 dB. For example, an OMA of 2.6 μW is approximately equal to an average power of -27.7 dBm, average with an Extinction ratio of 9 dB.
6. Open collector compatible, 4.7K to 10K ohm pull-up to Vcc (Host Supply Voltage).

### CONNECTION DIAGRAM



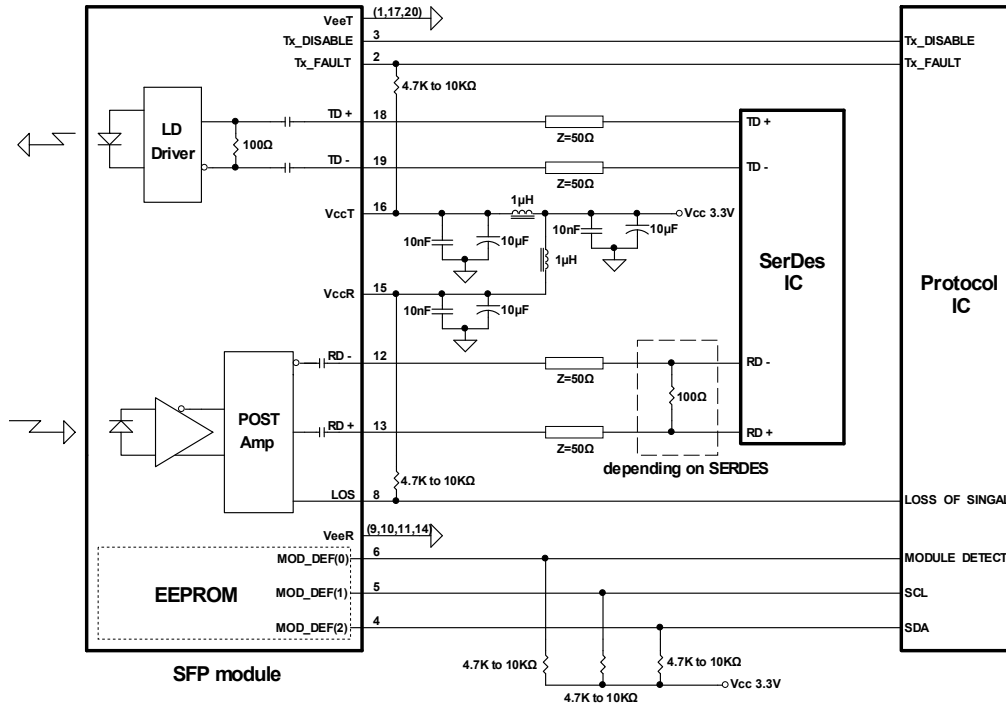
| PIN | Signal Name | Description   | PIN | Signal Name  | Description                 |
|-----|-------------|---|-----|--------------|-----------------------------|
| 1   | TX GND      | Transmitter Ground                                      | 11  | RX GND       | Receiver Ground             |
| 2   | TX Fault    | Transmitter Fault Indication                            | 12  | RX DATA OUT- | Inverse Receiver Data Out   |
| 3   | TX Disable  | Transmitter Disable (Module disables on high or open)   | 13  | RX DATA OUT+ | Receiver Data Out           |
| 4   | MOD-DFE2    | Modulation Definition 2 – Two wires serial ID Interface | 14  | RX GND       | Receiver Ground             |
| 5   | MOD-DEF1    | Modulation Definition 1 – Two wires serial ID Interface | 15  | Vcc RX       | Receiver Power – 3.3V±5%    |
| 6   | MOD-DEF0    | Modulation Definition 0 – Ground in Module              | 16  | Vcc TX       | Transmitter Power – 3.3V±5% |
| 7   | N/C         | Not Connected   | 17  | TX GND       | Transmitter Ground          |
| 8   | LOS         | Loss of Signal  | 18  | TX DATA IN+  | Transmitter Data In         |
| 9   | RX GND      | Receiver Ground   | 19  | TX DATA IN-  | Inverse Transmitter Data In |
| 10  | RX GND      | Receiver Ground   | 20  | TX GND       | Transmitter Ground          |

### Module Definition

| Module Definition | MOD-DEF2<br>PIN 4 | MOD-DEF1<br>PIN 5 | MOD-DEF0<br>PIN 6 | Interpretation by Host            |
|-------------------|-------------------|-------------------|-------------------|-----------------------------------|
| 4                 | SDA               | SCL               | LV-TTL Low        | Serial module definition protocol |

Module Definition 4 specifies a serial definition protocol. For this definition, upon power up, MOD-DEF(1:2) appear as no connector (NC) and MOD-DEF(0) is TTL LOW. When the host system detects this condition, it activates the serial protocol. The protocol uses the 2-wire serial CMOS E<sup>2</sup>PROM protocol of the ATMEL AT24C01A/02/04 family of components.

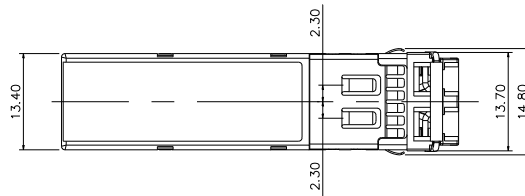
## RECOMMENDED CIRCUIT SCHEMATIC



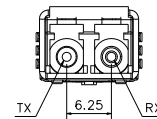
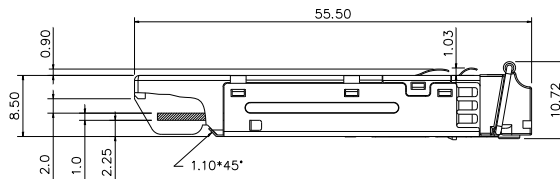
## PACKAGE DIAGRAM

Units in mm

Top View

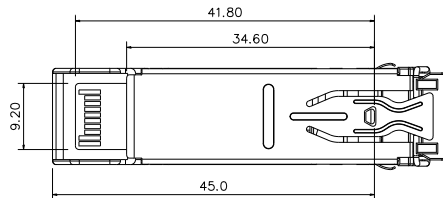


Front View



Side View

Bottom View



Note: Specifications subject to change without notice.

\*\*\*\*\*  
**OPTOWAY TECHNOLOGY INC.** No.38, Kuang Fu S. Road, Hu Kou, Hsin Chu Industrial Park, Hsin Chu, Taiwan 303

Tel: 886-3-5979798

Fax: 886-3-5979737

E-mail: sales@optoway.com

http://www.optoway.com

8/1/2007 V1.0

Revision History

| Version | Subject           | Release Date |
|---------|-------------------|--------------|
| 1.0     | Initial datasheet | 2007/8/1     |
|         |                   |              |
|         |                   |              |